

# Multibeacon

Model 4330B / 4336B Transponder / Responder



ORE Model 4330B Omnidirectional, Model 4336B and remote 4325A trans-

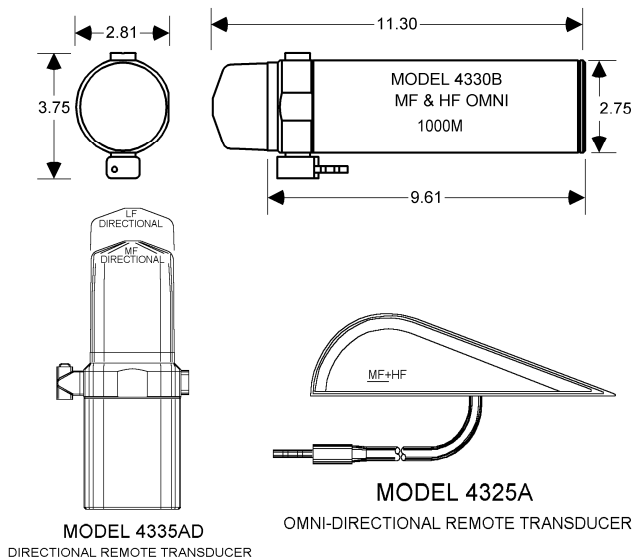
The ORE Model 4330 Series **Multibeacons** are the industry standard underwater responder/transponder used in conjunction with the ORE Trackpoint USBL acoustic tracking system, as well as other USBL systems. ORE Multibeacons combine versatility and performance to meet the most demanding underwater tracking requirements.

## Applications:

- ROV Tracking and Navigation
- Sonar Towfish Navigation
- AUV Tracking
- Subsea Structure Relocation
- Subsea Salvage Operations
- Diver Navigation
- Mooring Marking and Relocation
- SubSea Positioning
- Depth, Tilt, Heading Telemetry

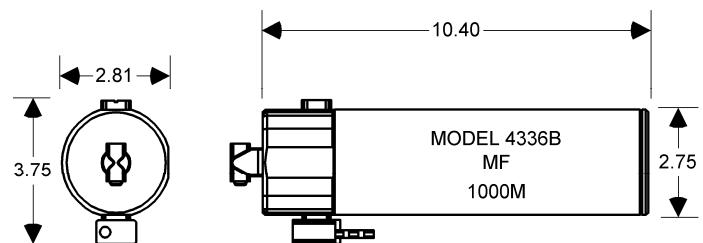
## Model 4330B Multibeacon with Integral Transducer

The standard Model 4330B Multibeacon features an integral omnidirectional transducer and is depth rated to 1000M. An optional directional transducer is available providing deeper/long range performance.



## Model 4336B Multibeacon with Remote 4325A Transducer

The Model 4336B Multibeacon with Remote Transducer is ideal for installations where size and mounting area are at a premium. The Model 4325A Remote Transducer Head is streamlined to minimize drag while permitting the electronics section to be mounted inside the vehicle. This unit also interfaces with the 4335A-D Remote Directional Transducer.



## Multibeacon Options

- Remote Transducer options exist in a variety of configurations to suit your unique installation.
- 3000 meter depth rating (directional models)
- Long life battery pack
- Low and high reply frequency models



*What you do underwater is your business...  
... Helping you do it better is ours*

ORE Offshore • 4 Little Brook Road • West Wareham, MA 02576  
Tel 508-291-0960 • Fax 508-291-0975 • Email sales@ore.com www.ore.com

# Specifications

## 4330B / 4336B Multibeacon

	Model 4330B	Model 4330B-D	Model 4336B	Model 4336B-D
<b>Transmitter Output Power</b>	80 W	160 W	80 W	160 W
<b>Navigation Reply Frequencies</b>	MF 23 - 30 kHz	LF 13 , 14 kHz MF 24 - 27 kHz	MF 24 - 27 kHz	LF 13 , 14 kHz MF 24 - 27 kHz
<b>Source Level and Beam Pattern</b>	187 dB re 1μPa @1M, omnidirectional	195 dB re 1μPa @1M, Directional ±30° beam	Model 4325A Remote Transducer, 187 dB re 1μPa @1M, omnidirectional	Model 4335A-D Remote Transducer, 195 dB re 1μPa @1M, Directional ±30° beam
<b>Dimensions</b>	2.75 in. Diameter X 11.30 in. Length	2.75 in. Diameter X 13.20 in. Length	2.75 in. Diameter X 10.40 in. Length	2.75 in. Diameter X 10.40 in. Length
<b>Weight in Air</b>	4.2 lbs.	5.5 lbs.	4.2 lbs. *	4.2 lbs. *
<b>Weight in Water</b>	1.8 lbs.	2.8 lbs.	1.8 lbs. *	1.8 lbs. *
<b>Case Material</b>	6061 Aluminum, Hard coat anodized	6061 Aluminum, Hard coat anodized	6061 Aluminum, Hard coat anodized	6061 Aluminum, Hard coat anodized
<b>Depth Rating</b>	1000 m Standard 3000 m Option	1000 m Standard 3000 m Option	1000 m Standard 3000 m Option	1000 m Standard 3000 m Option
<b>Interrogation Frequency</b>	17 or 19 kHz	20.5 or 22.5 kHz	17 or 19 kHz	20.5 or 22.5 kHz
<b>Turnaround Time, Transponder / Responder</b>	15 ms / 1 ms	15 ms / 1 ms	15 ms / 1 ms	15 ms / 1 ms
<b>Inhibit Time</b>	1.8 or 3.6 seconds, Field selectable	1.8 or 3.6 seconds, Field selectable	1.8 or 3.6 seconds, Field selectable	1.8 or 3.6 seconds, Field selectable
<b>Receive Sensitivity</b>	100 microvolts RMS	100 microvolts RMS	100 microvolts RMS	100 microvolts RMS
<b>Battery Type</b>	NiCad, rechargeable, 0.85 Amp Hr Rating	NiCad, rechargeable, 0.85 Amp Hr Rating	NiCad, rechargeable, 0.85 Amp Hr Rating	NiCad, rechargeable, 0.85 Amp Hr Rating
<b>Battery Charger</b>	Model 4324C	Model 4324C	Model 4324C	Model 4324C
<b>Listening Life / Interrogations</b>	5 days / 100,000	5 days / 60,000	5 days / 100,000	5 days / 60,000
<b>Interrogations @ 2sec Rate</b>	175,000	105,000	175,000	105,000

\* Does not include Remote Transducer



*What you do underwater is your business...  
... Helping you do it better is ours*

ORE Offshore • 4 Little Brook Road • West Wareham, MA 02576  
Tel 508-291-0960 • Fax 508-291-0975 • Email sales@ore.com www.ore.com